

## High Performance

- / AC travelling motor applied to provide excellent acceleration, good gradeability, low heat, no carbon brush and maintenance free.
- / The latest CURTIS AC control system provides accurate and stable control to work more efficient.
- / The applied CAN-BUS structure to offer more reliable and faster command access.
- / Regenerative brake and slope anti-slide function are offered by this truck.
- / Stand-on type with high power drive motor, provides fast travel speed and good gradeability.

## Reliability

- / Five-pivot with low centre of gravity design and high strength steel frame structure chassis provide larger residual load capacity and longer working life.
- / Water-proof plugs and connectors applied to provide a reliable protection to electric system.
- / The adopted unique floating suspension system ensures good driving wheels grip and excellent.
- / Top quality hydraulic power unit applied to provide low noise, low vibration, smooth lifting and landing reliable operation.
- / Punch-formed forks to provide more strength and tip guide to provide higher efficient operation.
- / H-type mast profile section to provide more stable and rigid performance.
- / The power plug is fixed on the truck body to avoid damage from battery installment.
- / Pedestrian type use the new design drive system, the drive motor will not accompany the tiller rotation, it can keep all the cable connect to the drive motor avoid being bent.
- / Using non-contact proximity switch, it can provides long life and reliable operation.

## Safety

- / With three braking types: releasing brake, reversing brake and emergency brake, the driving safety has been ensured.
- / The applied slope anti-slip function ensures the safety of the operation.
- / The emergency button on the tiller head can effectively avoid the harm to the driver.
- / Lifting limitation switch to offer protection to the loads from damaging.
- / Turning speed is automatically reduced when steering only for stand-on.

## Maintenance

- / AC motor with no cabin brush, don't need maintenance, lower cost.
- / Rear cover can be completely open, operator can see all the components, so the maintenance is very convenient.
- / All shafts installed lubricated shaft sleeve and oil cup, provide convenient maintenance and long service life.

## Comfort

- / The shock absorption design of foldable platform improves comfort greatly to the operator.
- / The new designed floating suspension driving system, adjustable automatically with loads, offers the driving wheels sufficient power.
- / Simple and beautiful tiller designed to operate all functions easily even by one hand.
- / Displayed turtle speed function applied to move slowly and helps to stack goods in narrow spaces.
- / Optimized designing structure to offer a good visibility and easy entrance of the pallet.
- / The compact body and big rounded design provide an ideal operation in limited space, and the wedge designed chassis greatly increases the passing ability.
- / Customer can choose different width of outside fork and length of forks to fit variable pallet.

## Standard Specification

- / Horn
- / AC drive motor
- / PU drive wheel
- / Pedal and handrail
- / Tandem load wheels
- / 1150mm fork length
- / CURTIS AC controller
- / Hydraulic power unit
- / 540mm outside fork width
- / Electronic lifting limitation
- / Emergency disconnect switch
- / Multi-function battery indicator
- / CAN-bus system multi-function tiller
- / Electric steering (stand on pallet)

## Options

- / Different length of forks
- / Different width of outside fork
- / Cold store protection (-30 C)
- / Pedestrian:210Ah~240Ah
- / Stand-on:240Ah~340Ah
- / Guide roller of pallet
- / Load backrest
- / Automatic charger



**ZHEJIANG HANGCHA IMP. & EXP. CO., LTD.**

**Factory site:** 666 Xiangfu Road, Hangzhou, Zhejiang, China (311305)

Tel: +86-571-88926735 88926755  
Fax: +86-571-88926789 88132890

sales@hcforklift.com  
www.hcforklift.com



Follow us on Facebook



Follow us on YouTube



Follow us on WeChat



Download "Hangcha Forklift" App



ISO14001:2015



ISO9001:2015



HANGCHA trucks conform to the European Safety Requirements.

HANGCHA GROUP CO., LTD. reserves the right to make any changes without notice concerning colors, equipment, or specifications detailed in this brochure, or to discontinue individual models. The colors of trucks, delivered may differ slightly from those in brochures.

2022 VERSION 3/COPYRIGHT 2022/09



## A Series Pallet Truck Hi Range

with capacities of 2,000 to 3,000kg

The World of Hangcha



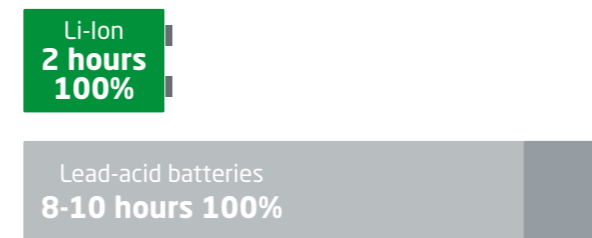
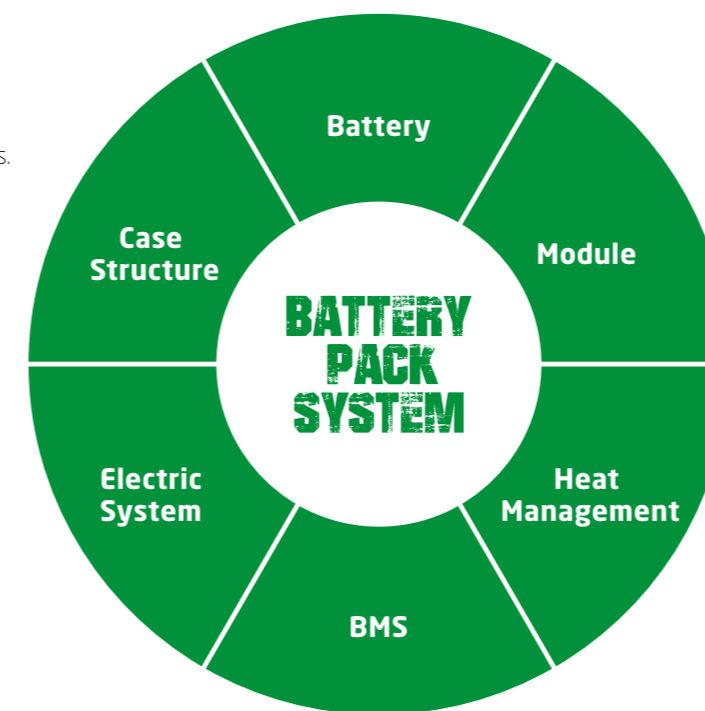
# LESS THAN 2 HOURS FULL CHARGE POWER REEL



## INNOVATIVE SOLUTIONS NEW POWER NOW

Innovative, reliable lithium-ion technology (Lithium Iron-Phosphate), which are developed jointly by HANGCHA and CATL. Battery cells and modules are from CATL, with reliable quality, exclusively for HANGCHA.

- / We use square lithium iron phosphate batteries and modules used in large quantities by commercial vehicles in mature economies.
- / The module uses an aluminum alloy frame which is sturdy, lightweight and with excellent heat dissipation.
- / Safe and effective: Charging efficiency as high as 98%, thermal runaway temperature 600 °C or above.
- / Adapted to low temperatures: Comes standard with an electrical heating feature, ensuring normal operation in low temperatures.
- / Quick charging: 2 hours full charge, economic use of each break.
- / Long-working: 4000 charging cycles, capacity retention greater than 80%.
- / Maintenance-free: Battery does not require manual maintenance.
- / Green and clean: Pollution-free, zero emissions.



**Rapid charging and opportunity charging ensure continuous availability of vehicles.**

Li-Ion powered forklifts are always available. They allow for fast full charging or boost charging (100 % charge in 2 hours). They are maintenance free and do not require a battery change when used for multi-shift operations.

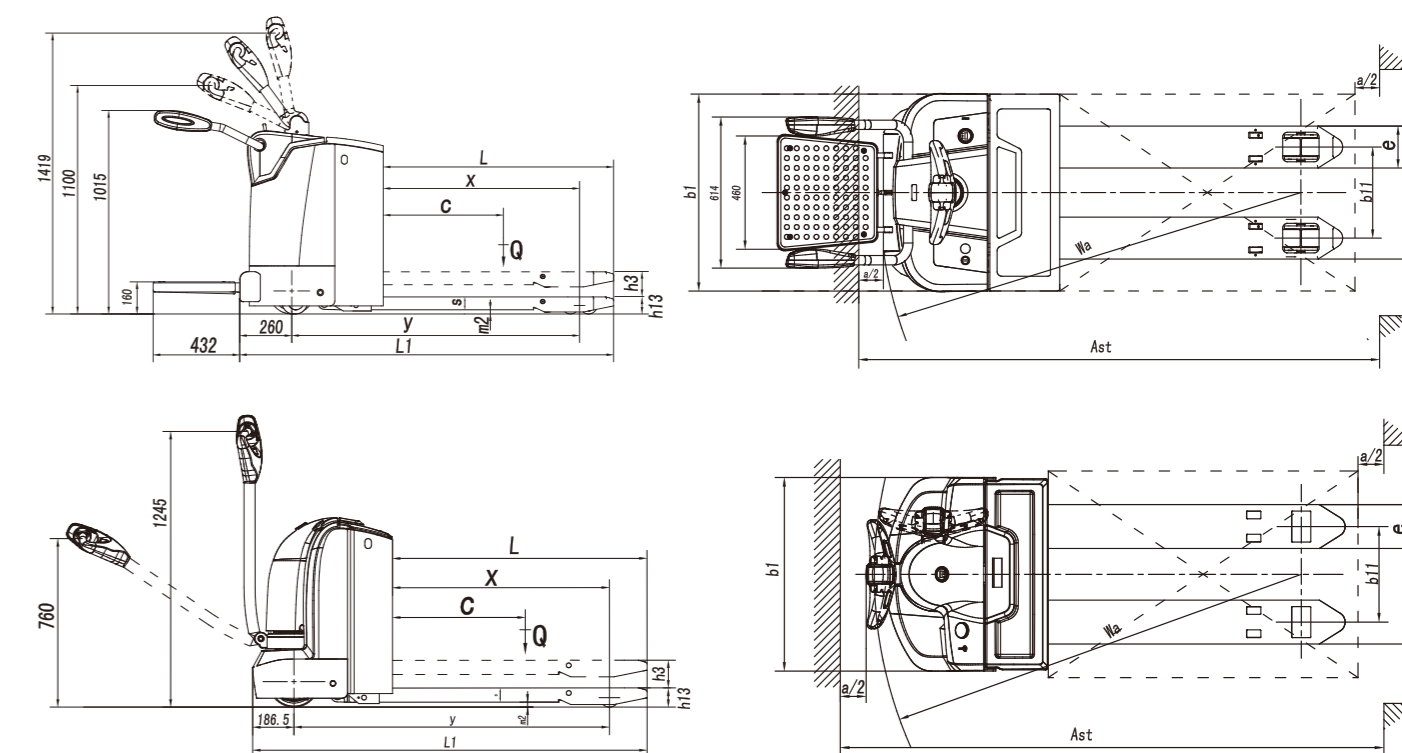
### Li-Ion Battery Pack specification

Type		CB020-AC2S-1	CB030-AC2S-1	CB020-AC2-1	CB030-AC2-1
Li-Ion battery	V/Ah	24/125	24/125	24/125	24/125
Li-Ion battery,Optional	V/Ah	24/202	24/202	-	-
Titans charger		SPC-24100	SPC-24100	SPC-24100	SPC-24100

### A Series Pallet Truck Hi Range

Distinguishing mark	1.1	Manufacturer	HANGCHA GROUP CO.,LTD.				
			CB020-AC2S CB020-A23S	CB020-AC2 CB020-A23	CB030-AC2S CB030-A23S	CB030-AC2 CB030-A23	
Weight	1.2	Manufacturer's type designation	Standing	Pedestrian	Standing	Pedestrian	
	1.4	Operator type: hand, pedestrian, standing, seated, order-picker					
	1.5	Rated capacity/rated load	Q (kg)	2000	2000	3000	3000
	1.6	Load centre distance	c (mm)	600	600	600	600
Tyres, chassis	1.9	Wheelbase	y (mm)	1369 <sup>1)</sup>	1357 <sup>1)</sup>	1369 <sup>1)</sup>	1357 <sup>1)</sup>
	2.1	Service Weight	kg	726	544	750	564
Dimensions	3.1	Tyres: solid rubber, superelastic, pneumatic, polyurethane		PU	PU	PU	PU
	3.2	Tyre size, front		φ230x75	φ230x75	φ230x75	φ230x75
	3.3	Tyre size, rear		φ85x70	φ85x70	φ85x70	φ85x70
	3.4	Additional wheel (dimensions)		φ125x50	φ100x40	φ125x50	φ100x40
	3.5	Wheels, number front / rear (x = driven wheels)		1x+2/4	1x+2/4	1x+2/4	1x+2/4
	3.6	Tread, front	b10 (mm)	575	480	575	480
	3.7	Tread, rear	b11 (mm)	370	370	370	370
	4.4	Lift	h3 (mm)	125	125	125	125
	4.15	Fork height,lowered	h13 (mm)	85	85	85	85
	4.19	Overall length	l1 (mm)	1867	1781	1867	1781
Performance data		Overall length(unfold the pedal)	l1 (mm)	2299	2299	2299	2299
	4.21	Overall width	b1(mm)	800	750	800	750
	4.22	Fork dimensions ISO 2331	s/e/l (mm)	64/170/1150	64/170/1150	64/170/1150	64/170/1150
	4.25	Distance between fork-arms	bs (mm)	540/680	540/680	540/680	540/680
	4.32	Ground clearance,center of wheelbase	m2 (mm)	25	25	25	25
	4.34.1	Aisle width for pallets 1000 x 1200 crossways	Ast (mm)	1997 <sup>2)</sup>	1955 <sup>2)</sup>	1997 <sup>2)</sup>	1955 <sup>2)</sup>
	4.34.2	Aisle width for pallets 800 x 1200 lengthways	Ast (mm)	2047 <sup>2)</sup>	2005 <sup>2)</sup>	2047 <sup>2)</sup>	2005 <sup>2)</sup>
	4.35	Turning radius	wa (mm)	1627/2040 <sup>1)</sup>	1585 <sup>1)</sup>	1627/2040 <sup>1)</sup>	1585 <sup>1)</sup>
	5.1	Travel speed,laden/unladen	km/h	9.0/9.5	6.0/6.0	7.5/9.5	5.0/6.0
	5.2	Lift speed,laden/unladen	m/s	0.047/0.065	0.047/0.065	0.036/0.051	0.036/0.051
Electric engine	5.3	Lowering speed,laden/unladen	m/s	0.075/0.070	0.073/0.070	0.060/0.055	0.060/0.055
	5.8	Max.Gradeability,laden/unladen	%	10/16	8/20	8/16	6/20
	6.1	Drive motor rating S2 60 min	kW	2.2	1.5	2.2	1.5
	6.2	Lift motor rating at S3 15%	kW	2.2	2.2	2.2	2.2
	6.4	Battery voltage,rated capacity (Lead-acid)	V/Ah	24/240	24/210	24/280	24/240
		Battery voltage,rated capacity,Optional	V/Ah	~24/340	~24/240	~24/340	~24/240
8.1	Type of drive control		AC	AC	AC	AC	
9.1	Manufacturer		CURTIS ZAPI	CURTIS ZAPI	CURTIS ZAPI	CURTIS ZAPI	

Note: 1), When fork lowered,+68mm., 2), When fork lowered,+40mm



HANGCHA provides Li-Ion battery (LiFePO4) with 5 years or 10000 hours warranty.

