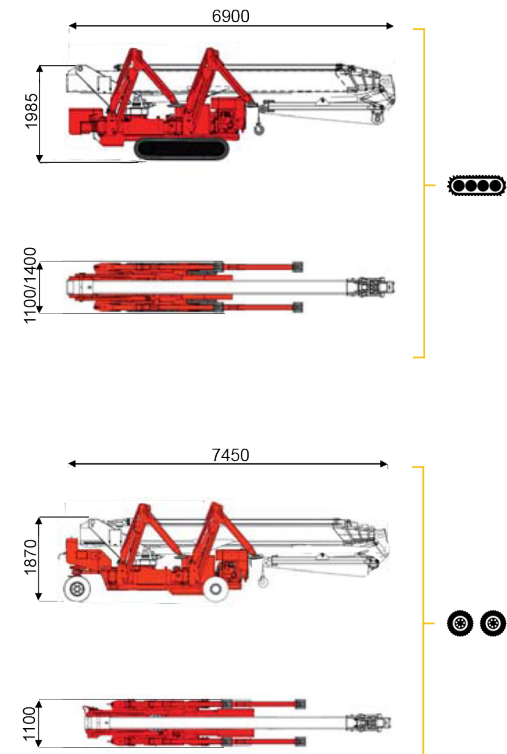
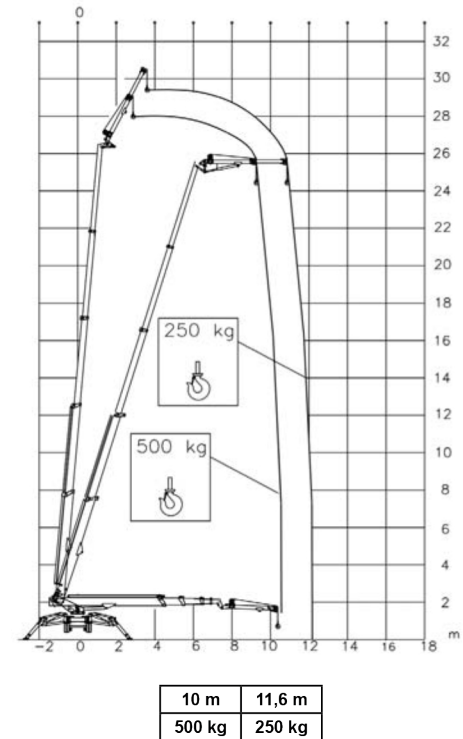




**31 m** ↑  
**11,6 m** →  
**500 Kg** ⚙



BI-ENERGY Diesel+AC													
<b>XTJ 32/C</b>	31 m	11,6 m	500 kg	660°	2,82-4,76 m	16%	38%	3 km/h	5940 kg	35 kN	2,43 kN/m <sup>2</sup>	4,78 kN/m <sup>2</sup>	
<b>XTJ 32/R</b>	31 m	11,6 m	500 kg	660°	2,82-4,76 m	16%	18%	2 km/h	5940 kg	35 kN	2,43 kN/m <sup>2</sup>	4,43 kN/m <sup>2</sup>	

Available version:

- BI-ENERGY (DIESEL+AC)
- ECO (DC+AC)
- HYBRID (DIESEL+DC)

Characteristics and technical data are informative only and subjected to change without notice.

**Palazzani** INDUSTRIE  
COMPANY WITH QUALITY SYSTEM CERTIFIED BY DNV GL = ISO 9001 =



Palazzani Industrie S.p.A.  
Via del Pavione, 4 - 25050 - Paderno F.C. (BS) - Italy  
Tel. (+39) 0306857073  
platforms@palazzani.it  
[www.palazzani.it](http://www.palazzani.it)