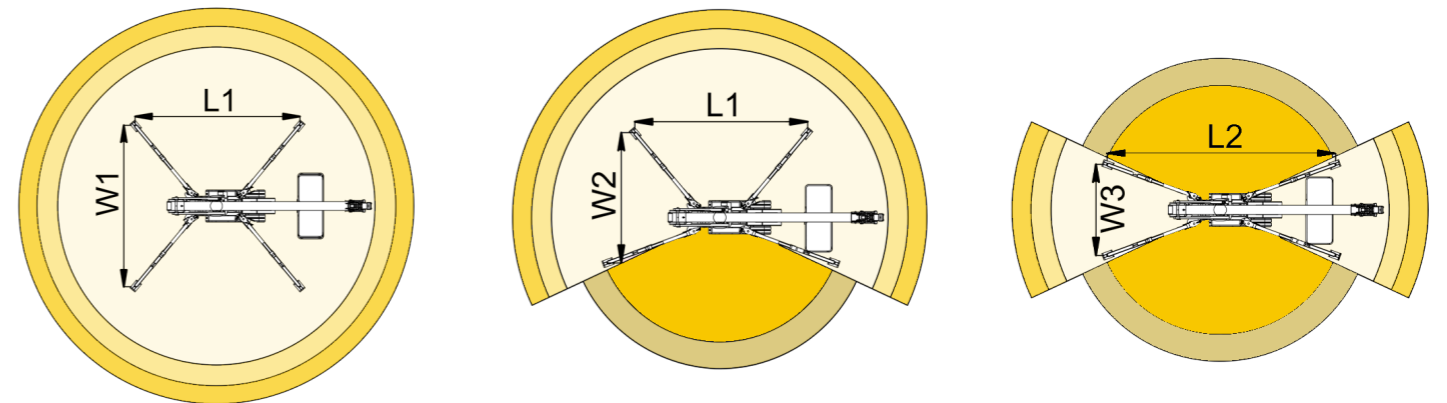
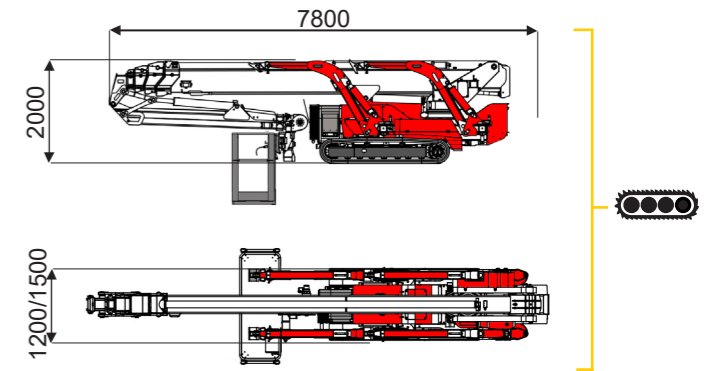
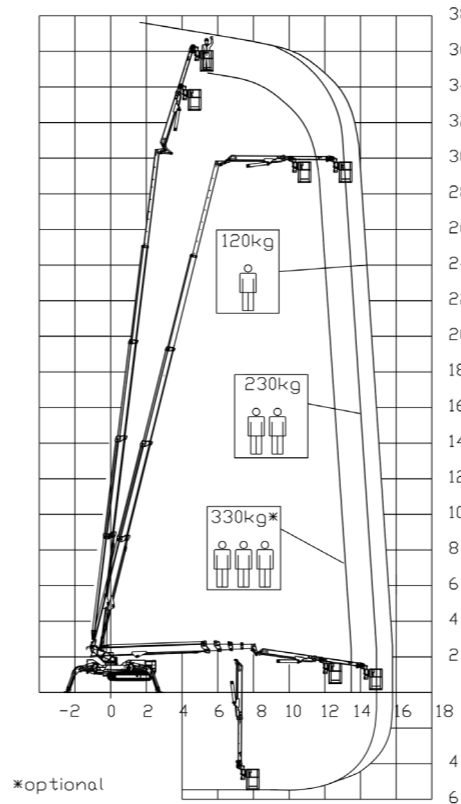




37 m ↑
15,7 m →
330 Kg* 👤👤👤



13,5 m	15 m	15,7 m	7,2 m	9,5 m	L1	L2	W1	W2	W3
330 kg*	230 kg	120 kg	330 kg*	120/230 kg	5535 mm	7160 mm	5260 mm	3975 mm	2680 mm

BI-ENERGY
Diesel+AC



XTJ 37+/C-R 37 m 15,7 m 330 kg* 170° 660° 180x70 cm 90°+80° 2,68-5,26 m 23% 36% 2,5 km/h 7500 kg 55 kN 2,58 kN/m² 5,34 kN/m²

Available version:

- BI-ENERGY (DIESEL+AC)
- ECO (DC+AC)
- HYBRID (DIESEL+DC)

Characteristics and technical data are informative only and subjected to change without notice.