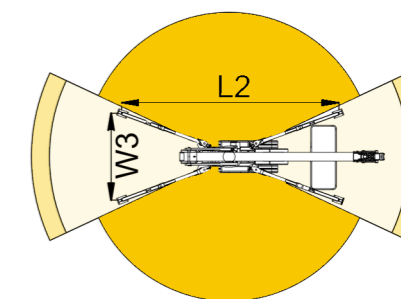
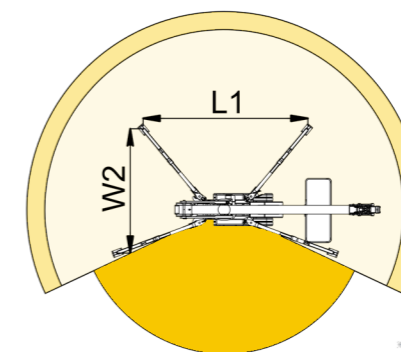
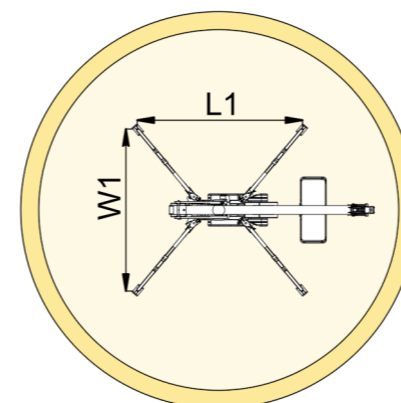
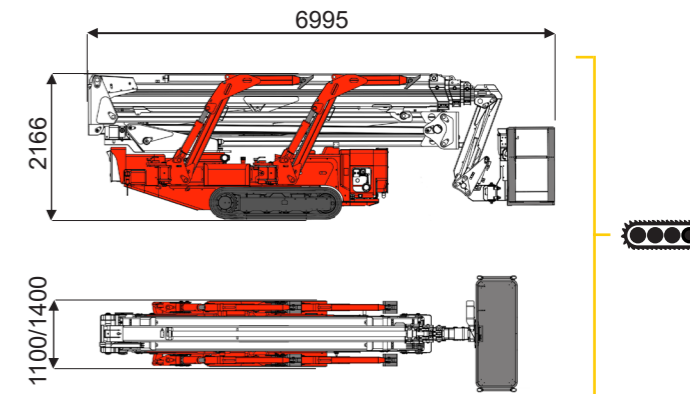
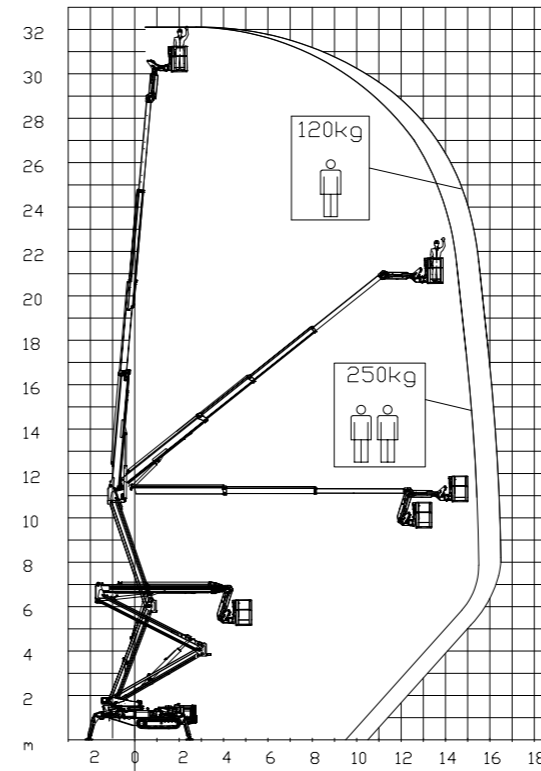




**32 m** ↑  
**16,4 m** →  
**250 Kg** 👤 👤



15,4 m	16,4 m	9,5 m	L1	L2	W1	W2	W3
250 kg	120 kg	120/250 kg	4725 mm	6170 mm	4910 mm	4020 mm	3130 mm

**BI-ENERGY**  
Diesel+AC



**TZ 330+/C** 32 m 16,4 m 10,5 m 250 kg 110° 360° 180x70 cm 90°+90° 3,13-4,91 m 18% 32% 2,4 km/h 6700 kg 49 kN 2,89 kN/m<sup>2</sup> 5,32 kN/m<sup>2</sup>

Available version:

- BI-ENERGY (DIESEL+AC)
- ECO (DC+AC)
- HYBRID (DIESEL+DC)

Characteristics and technical data are informative only and subjected to change without notice.