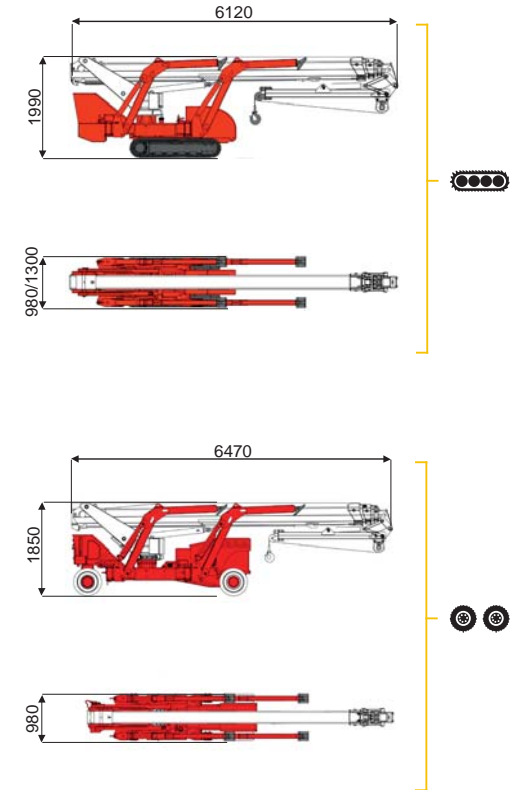
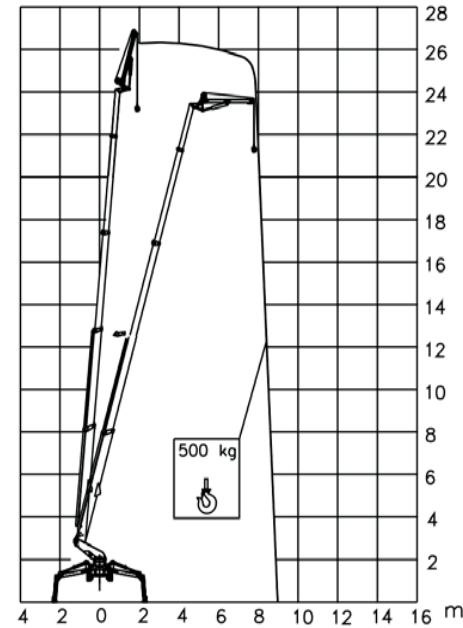




25,5 m ↑
9 m →
500 Kg ⚙️



BI-ENERGY
Diesel+AC



TSJ 27/C		25,5 m	9 m	500 kg	660°	2,87-4,79 m	44%	42%	1,2 km/h	4580 kg	29 kN	1,94 kN/m ²	4,16 kN/m ²
TSJ 27/R		25,5 m	9 m	500 kg	660°	2,87-4,79 m	44%	29%	1,7 km/h	4700 kg	29 kN	1,99 kN/m ²	3,94 kN/m ²

Available version:

BI-ENERGY (DIESEL+AC)
ECO (DC+AC)
HYBRID (DIESEL+DC)

Characteristics and technical data are informative only and subjected to change without notice.