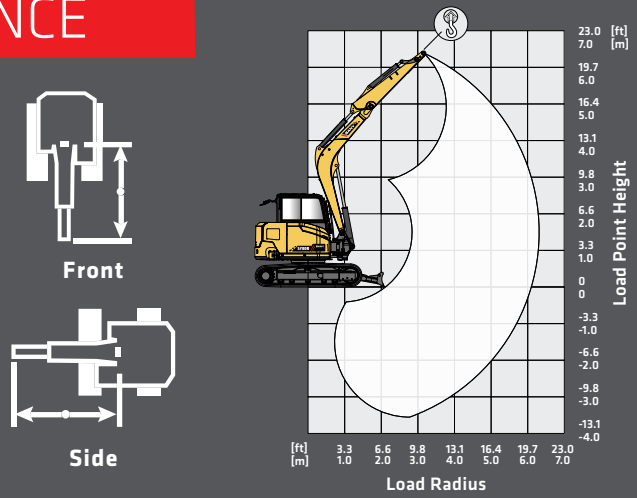


SY80U LIFTING PERFORMANCE

Standard 11' 6" (3 499 mm) Boom
 Standard 6' 9" (2 051 mm) Arm
 Standard 18" (450 mm) Track Shoes
 No Bucket

Ratings are based on ISO 10567:2007. Lift capacity does not exceed 75% of tipping load with the machine on firm, level ground or 87% of hydraulic lifting capacity.



BLADE DOWN

LOAD RADIUS	6.6 ft 2.0 m		9.8 ft 3.0 m		13.1 ft 4.0 m		16.4 ft 5.0 m		MAX REACH	
LOAD POINT HEIGHT										
16.4 ft 5.0 m					4,321 lb* 1 960 kg*	4,321 lb* 1 960 kg*	3,968 lb* 1 800 kg*	2,950 lb 1 338 kg	3,770 lb* 1 710 kg*	2,921 lb 1 325 kg
13.1 ft 4.0 m					4,586 lb* 2 080 kg*	4,586 lb* 2 080 kg*	4,597 lb* 2 085 kg*	2,965 lb 1 345 kg	2,701 lb* 1 225 kg*	2,326 lb 1 055 kg
9.8 ft 3.0 m			6,834 lb* 3 100 kg*	6,834 lb* 3 100 kg*	5,600 lb* 2 540 kg*	4,134 lb 1 875 kg	5,016 lb* 2 275 kg*	2,899 lb 1 315 kg	3,494 lb* 1 585 kg*	2,050 lb 930 kg
6.6 ft 2.0 m			10,461 lb* 4 745 kg*	5,897 lb 2 675 kg	7,011 lb* 3 180 kg*	3,880 lb 1 760 kg	5,666 lb* 2 570 kg*	2,778 lb 1 260 kg	3,594 lb* 1 630 kg*	1,907 lb 865 kg
3.3 ft 1.0 m			9,535 lb* 4 325 kg*	5,401 lb 2 450 kg	8,256 lb* 3 745 kg*	3,638 lb 1 650 kg	6,272 lb* 2 845 kg*	2,657 lb 1 205 kg	3,858 lb* 1 750 kg*	1,885 lb 855 kg
0.0 ft 0.0 m			10,692 lb* 4 850 kg*	5,269 lb 2 390 kg	8,863 lb* 4 020 kg*	3,505 lb 1 590 kg	6,603 lb* 2 995 kg*	2,579 lb 1 170 kg	4,332 lb* 1 965 kg*	1,951 lb 885 kg
-3.3 ft -1.0 m	8,477 lb* 3 845 kg*	8,477 lb* 3 845 kg*	12,500 lb* 5 670 kg*	5,203 lb 2 360 kg	8,708 lb* 3 950 kg*	3,417 lb 1 550 kg	6,471 lb* 2 935 kg*	2,513 lb 1 140 kg	5,225 lb* 2 370 kg*	2,194 lb 995 kg
-6.6 ft -2.0 m	13,492 lb* 6 120 kg*	10,648 lb 4 830 kg	10,836 lb* 4 915 kg*	5,236 lb 2 375 kg	7,694 lb* 3 490 kg*	3,417 lb 1 550 kg	5,390 lb* 2 445 kg*	2,535 lb 1 150 kg	5,291 lb* 2 400 kg*	2,612 lb 1 185 kg
-9.8 ft -3.0 m	11,144 lb* 5 055 kg*	11,144 lb* 5 055 kg*	7,463 lb* 3 385 kg*	5,401 lb 2 450 kg					5,049 lb* 2 290 kg*	3,825 lb 1 735 kg

BLADE UP

15.4 ft 5.0 m					4,321 lb* 1 960 kg*	4,321 lb* 1 960 kg*	3,968 lb* 1 800 kg*	2,950 lb 1 338 kg	3,770 lb 1 710 kg	2,921 lb 1 325 kg
13.1 ft 4.0 m					4,586 lb* 2 080 kg*	4,586 lb* 2 080 kg*	4,597 lb* 2 085 kg*	2,965 lb 1 345 kg	2,701 lb* 1 225 kg*	2,326 lb 1 055 kg
9.8 ft 3.0 m			6,834 lb* 3 100 kg*	6,834 lb* 3 100 kg*	5,600 lb* 2 540 kg*	4,134 lb 1 875 kg	3,902 lb 1 770 kg	2,899 lb 1 315 kg	2,833 lb 1 285 kg	2,050 lb 930 kg
6.6 ft 2.0 m			8,488 lb* 3 850 kg*	5,897 lb 2 675 kg	5,346 lb 2 425 kg	3,880 lb 1 760 kg	3,781 lb 1 715 kg	2,778 lb 1 260 kg	2,612 lb 1 185 kg	1,907 lb 865 kg
3.3 ft 1.0 m			7,926 lb 3 595 kg	5,401 lb 2 450 kg	5,082 lb 2 305 kg	3,638 lb 1 650 kg	3,649 lb 1 655 kg	2,657 lb 1 205 kg	2,579 lb 1 170 kg	1,885 lb 855 kg
0.0 ft 0.0 m			7,771 lb 3 525 kg	5,269 lb 2 390 kg	4,938 lb 2 240 kg	3,505 lb 1 590 kg	3,560 lb 1 615 kg	2,579 lb 1 170 kg	2,679 lb 1 215 kg	1,951 lb 885 kg
-3.3 ft -1.0 m	8,477 lb* 3 845 kg*	8,477 lb* 3 845 kg*	7,694 lb 3 490 kg	5,203 lb 2 360 kg	4,839 lb 2 195 kg	3,417 lb 1 550 kg	3,494 lb 1 585 kg	2,513 lb 1 140 kg	2,998 lb 1 360 kg	2,194 lb 995 kg
-6.6 ft -2.0 m	13,492 lb* 6 120 kg*	10,648 lb 4 830 kg	7,738 lb 3 510 kg	5,236 lb 2 375 kg	4,839 lb 2 195 kg	3,417 lb 1 550 kg	3,527 lb 1 600 kg	2,535 lb 1 150 kg	3,594 lb 1 630 kg	2,612 lb 1 185 kg
-9.8 ft -3.0 m	11,144 lb* 5 055 kg*	11,144 lb* 5 055 kg*	7,463 lb* 3 385 kg*	5,401 lb 2 450 kg					5,049 lb* 2 290 kg*	3,825 lb 1 735 kg

*Indicates load limited by hydraulic lifting capacity
 In the interest of continual equipment development, SANY America Inc. reserves the right to change these specifications at any time without prior notification.

SY80U

PRODUCT SPECIFICATIONS



STANDARD FEATURES

- Short Tail Swing
- Boom Swing Functionality Allows for Offset Digging in Confined Areas
- Load-Sensing Hydraulic System Provides Increased Efficiency and Control
- Powerful Yanmar Engine

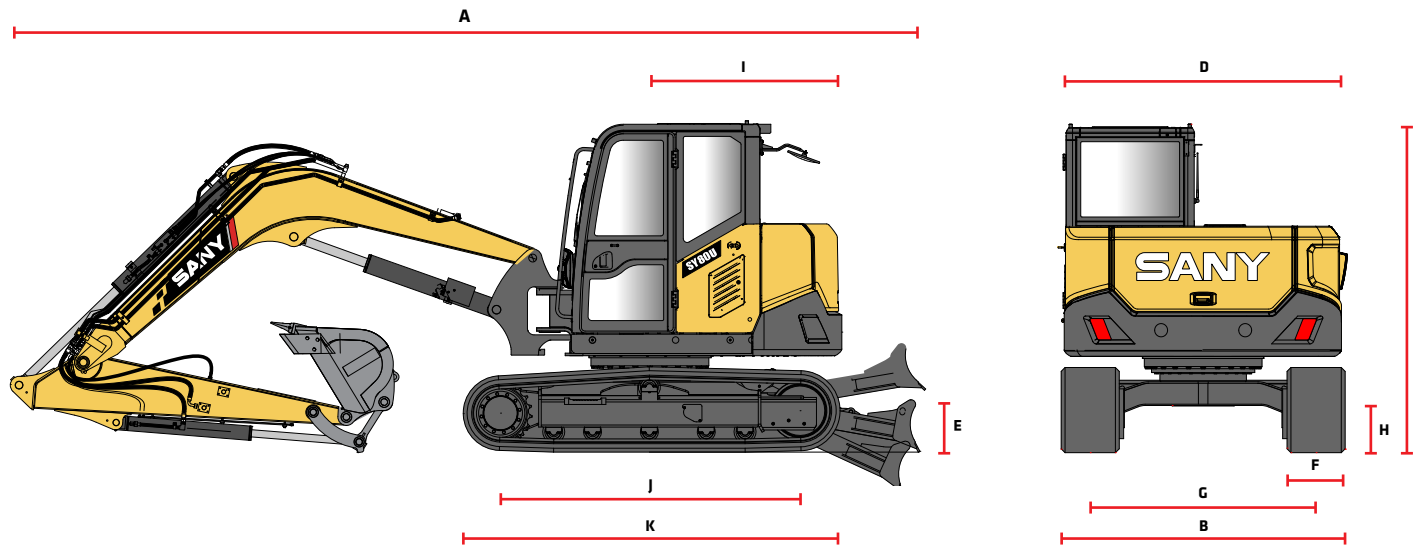
Gross Power
73 hp

Dig Depth
14' 10.5"

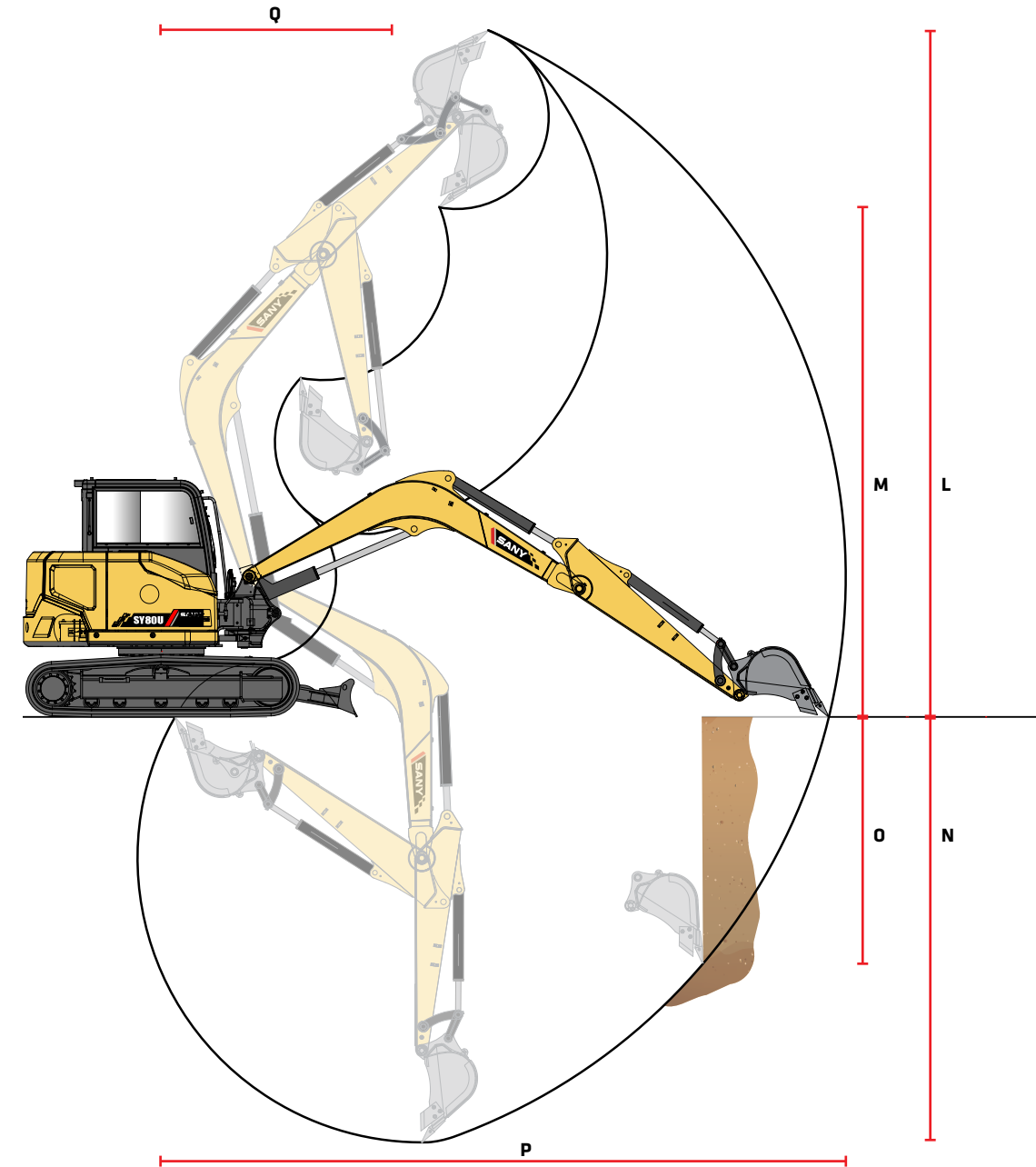
Operating Weight
19,401 lb

Bucket Breakout
16,343 lbf

DIMENSIONS



WORKING RANGE



Compact Design with Powerful Performance

TECHNICAL SPECIFICATIONS

Operating Weight	19,401 lb	8 800 kg
Ground Pressure	5.5 psi	37.9 kPa
Engine	Yanmar 4TNV98CT	
Displacement	202.5 in ³	3.3 L
Gross Power	73 hp	54.4 kW
Hydraulics	Load Sensing with Pilot Controls	
Main Hydraulic Pump	Axial Piston - Variable Displacement	
Operating Pressure (maximum)	3,814 psi	26.3 MPa
Primary Auxiliary Flow (maximum)*	26 gal/min	100 l/min
Primary Auxiliary Flow (maximum)	3,626 psi	25 MPa
Secondary Auxiliary Flow (maximum)*	18 gal/min	70 l/min
Secondary Auxiliary Pressure (maximum)	3,626 psi	25 MPa
Travel Motor	Axial Piston with Park Brake	
Travel Pressure (maximum)	3,814 psi	26.3 MPa
Travel Speeds (maximum)	1.6/2.8 mph	2.6/4.5 kph
Travel Effort (maximum)	15,736 lbf	70 kN
Grade Capability (maximum)	35°	
Swing Motor	Axial Piston with Gear Reduction	
Swing Speed (maximum)	10.2 rpm	
Undercarriage (standard)	Belted Rubber Track	
Track Width (standard)	18"	450 mm
Track Rollers (per side)	5	
Carrier Rollers (per side)	1	

DIMENSIONS

Boom Length	11' 6"	3 499 mm
Stick (Arm) Length	6' 9"	2 051 mm
A Transport Length	23'	7 010 mm
B Transport Width	7' 3"	2 200 mm
C Transport Height	8' 5"	2 550 mm
D Upper Structure Width	7' 3"	2 200 mm
E Blade Height	16"	410 mm
F Track Width	18"	450 mm
G Track Gauge	5' 9"	1 750 mm
H Ground Clearance	14"	365 mm
I Tail-Swing Radius	4' 10"	1 480 mm
J Track Length on Ground	7' 7"	2 315 mm
K Track Length	9' 7"	2 915 mm

SERVICE REFILL CAPACITIES

Fuel Tank Capacity	26.4 gal	99.9 L
Hydraulic Tank Capacity	31.7 gal	119.9 L
Engine Oil Capacity	2.7 gal	10.2 L
Cooling System Capacity	3.1 gal	11.7 L

*Based on theoretical calculation at max flow with no load. Subject to alterations. In the interest of continual equipment development, SANY America, Inc. reserves the right to change these specifications at any time without prior notification. ©2022 SANY America Inc. HEXPS22SY80U002

WORKING RANGE

Boom Length	11' 6"	3 499 mm
Arm Length	6' 9"	2 051 mm
L Maximum Digging Height	24'	7 315 mm
M Maximum Dumping Height	17' 10"	5 436 mm
N Maximum Digging Depth	14' 10.5"	4 534 mm
O Maximum Vertical Wall Digging Depth	8' 2"	2 490 mm
P Maximum Reach at Ground Level	23' 11"	7 290 mm
Q Minimum Swing Radius	7' 11"	2 413 mm

DIGGING PERFORMANCE

Boom Length	11' 6"	3 499 mm
Arm Length	6' 9"	2 051 mm
Bucket Breakout Force (ISO)	16,343 lbf	72.7 kN
Arm Breakout Force (ISO)	9,105 lbf	40.5 kN

In the interest of continual equipment development, SANY America, Inc. reserves the right to change these specifications at any time without prior notification. ©2022 SANY America Inc. HEXPS22SY80U002